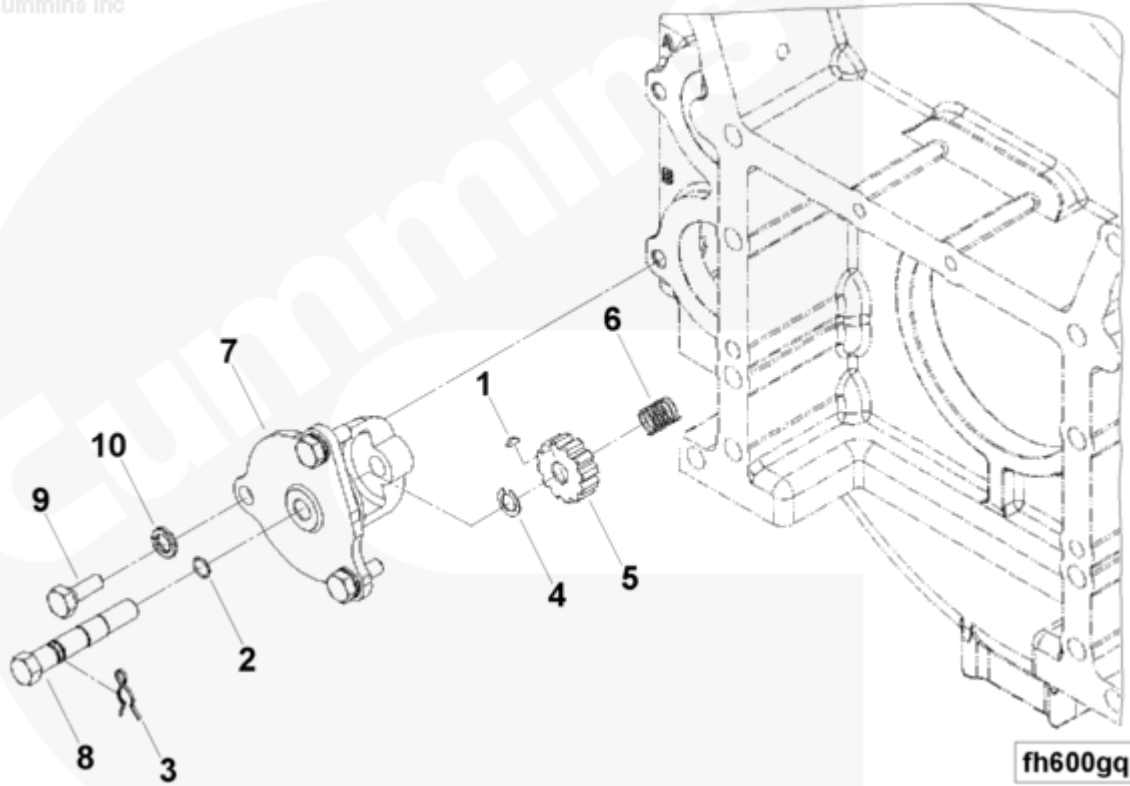




## Parts Catalog - Option Detail

Electronic Parts Catalog - Option Detail				
Option	Group	Graphic	Film Card	Date
BP6100	16.01	fh600gq	K38	08-JUL-96
<b>Engines</b>	GTA38, K38, KTA38GC CM558, QSK38 CM2150 K106, QSK38 CM2150 MCRS, QSK38 CM850 MCRS			

©Cummins Inc



SMALL | MEDIUM | LARGE

Cart	Ref No	Part Number	Part Description	Required	Remarks
<a href="#">View My Cart</a>					
		<a href="#">BP6100</a>	Engine Barring Drive		
<input type="checkbox"/>		<a href="#">3201740</a>	Barring Drive	1	
<input type="checkbox"/>	1	<a href="#">S 306</a>	Plain Woodruff Key	1	
<input type="checkbox"/>	2	<a href="#">3913994</a>	O-Ring Seal	1	
<input type="checkbox"/>	3	<a href="#">169834</a>	Clip	1	
<input type="checkbox"/>	4	<a href="#">206090</a>	Retaining Ring	1	
<input type="checkbox"/>	5	<a href="#">206091</a>	Barring Drive Gear	1	

<input type="checkbox"/>	6	<a href="#">206092</a>	Compression Spring	1	
<input type="checkbox"/>	7	<a href="#">206093</a>	Barring Drive Housing	1	
<input type="checkbox"/>	8	<a href="#">3201739</a>	Barring Shaft	1	
<input type="checkbox"/>	9	<a href="#">S 116</a>	Hexagon Head Cap Screw	3	5/8 - 11 X 1 1/2 in.
<input type="checkbox"/>	10	<a href="#">S 603</a>	Lock Washer	3	5/8 in.

© 2019 Cummins Inc., Box 3005, Columbus, IN 47202-3005 U.S.A.  
Terms of Use and Disclaimers | Recommended System Requirements  
Need Assistance? Please click on the Contact Us button in the top right corner of any page.